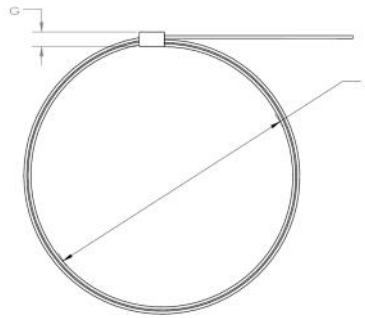
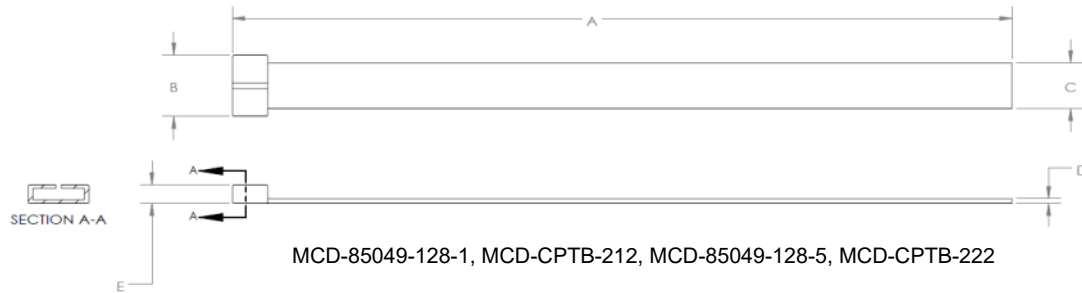




WELDED BUCKLE



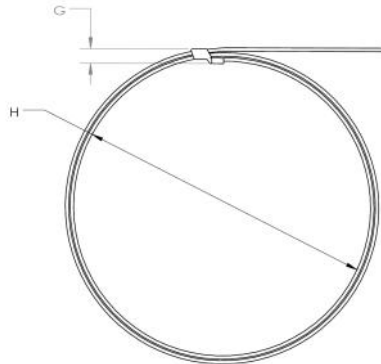
MCD-85049-128-2, MCD-CPTB-212-1, MCD-85049-128-6, MCD-CPTB-222-1



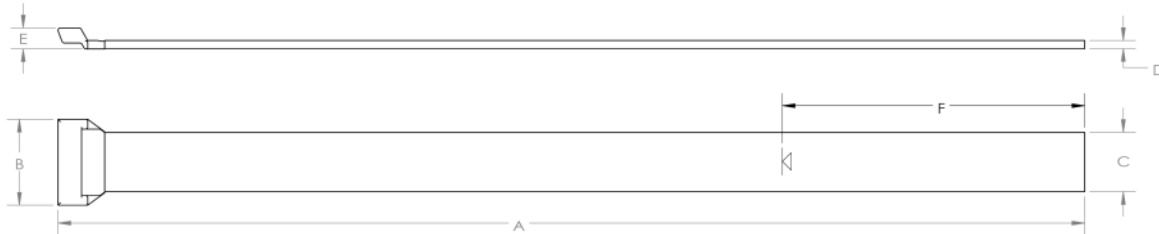
MCD-85049-128-1, MCD-CPTB-212, MCD-85049-128-5, MCD-CPTB-222



STAMPED BUCKLE



MCD-85049-128-4, MCD-CPTB-112-1, MCD-85049-128-8, MCD-CPTB-122-1



MCD-85049-128-3, MCD-CPTB-112, MCD-85049-128-7, MCD-CPTB-122

DISCLAIMER

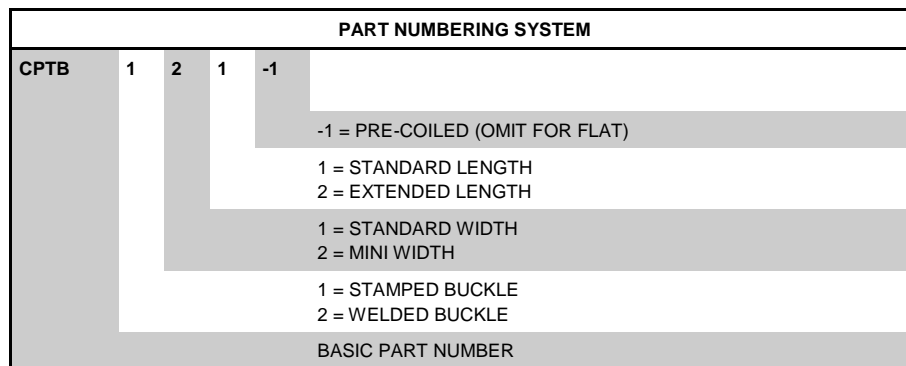
ALL INFORMATION IN THIS SPECIFICATION, INCLUDING ILLUSTRATIONS, IS BELIEVED TO BE RELIABLE. READERS, HOWEVER, SHOULD INDEPENDENTLY EVALUATE THE SUITABILITY OF EACH PRODUCT FOR THEIR APPLICATION. MCD-Tools MAKES NO WARRANTIES AS TO THE ACCURACY OR COMPLETENESS OF THE INFORMATION, AND DISCLAIMS ANY LIABILITY REGARDING ITS USE. SPECIFICATIONS ARE SUBJECT TO CHANGE WITHOUT NOTICE. IN ADDITION, MCD-Tools RESERVES THE RIGHT TO MAKE CHANGES—WITHOUT NOTIFICATION TO CUSTOMERS—TO PROCESSING OR MATERIALS THAT DO NOT AFFECT COMPLIANCE WITH ANY APPLICABLE SPECIFICATION.

MCD SERIES EMI/RFI BANDS STAINLESS STEEL TERMINATION BANDS

CONFIGURATION DIMENSIONS INCHES								
PART NUMBER	A ± .060	B ± .031	C ± .010	D REF	E REF	F REF	G REF	H REF
MCD-85049-128-3* (VG)	14.25	.350	.250	.020	.130	2.031	-	-
MCD-85049-128-4*	-	-	-	-	-	-	.150	1.75
MCD-CPTB-112 (VG)	18.00	.350	.250	.020	.130	2.031	-	-
MCD-CPTB-112-1	-	-	-	-	-	-	.150	1.75
MCD-85049-128-7* (VG)	8.125	.195	.120	.015	.053	2.031	-	-
MCD-85049-128-8*	-	-	-	-	-	-	.073	.860
MCD-CPTB-122 (VG)	14.25	.195	.120	.015	.053	2.031	-	-
MCD-CPTB-122-1	-	-	-	-	-	-	.073	.860
MCD-85049-128-1* (VG)	14.00	.328	.245	.019	.100	-	-	-
MCD-85049-128-2*	-	-	-	-	-	-	.140	1.75
MCD-CPTB-212 (VG)	18.00	.328	.245	.019	.100	-	-	-
MCD-CPTB-212-1	-	-	-	-	-	-	.140	1.75
MCD-85049-128-5* (VG)	9.50	.198	.118	.015	.080	-	-	-
MCD-85049-128-6*	-	-	-	-	-	-	.120	1.12
MCD-CPTB-222	14.25	.198	.118	.015	.080	-	-	-
MCD-CPTB-222-1	-	-	-	-	-	-	.120	1.12

NOTES

1. PART MARKING IS OPTIONAL
2. MATERIAL: 300 SERIES STAINLESS STEEL, PASSIVATED
3. ALL ITEMS MARKED WITH * ARE QUALIFIED TO AS85049
4. ALL ITEMS MARKED WITH (VG) ARE QUALIFIED TO VG95319-1015A



DISCLAIMER

ALL INFORMATION IN THIS SPECIFICATION, INCLUDING ILLUSTRATIONS, IS BELIEVED TO BE RELIABLE. READERS, HOWEVER, SHOULD INDEPENDENTLY EVALUATE THE SUITABILITY OF EACH PRODUCT FOR THEIR APPLICATION. MCD-Tools MAKES NO WARRANTIES AS TO THE ACCURACY OR COMPLETENESS OF THE INFORMATION, AND DISCLAIMS ANY LIABILITY REGARDING ITS USE. SPECIFICATIONS ARE SUBJECT TO CHANGE WITHOUT NOTICE. IN ADDITION, MCD-Tools RESERVES THE RIGHT TO MAKE CHANGES—WITHOUT NOTIFICATION TO CUSTOMERS—TO PROCESSING OR MATERIALS THAT DO NOT AFFECT COMPLIANCE WITH ANY APPLICABLE SPECIFICATION.

MCD-Tools GmbH - www.mcd-tools.de - sales@mcd-tools.de